

# 5000.1010K4M Low Profile DATA SHEET



## KIT CONTAINS

UNIDRAIN GLASSLINE UNIT WITH  
INTEGRATED GLASS CHANNEL  
LOW PROFILE OUTLET  
HIGHLINE FRAME  
HIGHLINE CASSETTE  
GLASS SCREEN

## 5002.1010 | 5003.1010 Glassline Module

For right-aligned shower screen

For left-aligned shower screen



ITEM NUMBER R

5002.1010

ITEM NUMBER L

5003.1010

### Specifications

|                                   |                           |                               |
|-----------------------------------|---------------------------|-------------------------------|
| <b>MATERIAL</b>                   | <b>SURFACE</b>            | <b>FLOORING</b>               |
| 1,5 mm stainless steel (AISI 304) | Pickled                   | Tiles                         |
| <b>MEMBRANE</b>                   | <b>FLOOR CONSTRUCTION</b> | <b>INSTALLATION WIDTH (A)</b> |
| Liquid or sheet membrane          | Concrete/wood             | 1001 mm                       |
| <b>INSTALLATION DEPTH (B)</b>     | <b>CENTRE (C)</b>         | <b>SHOWER SCREEN SIZE (D)</b> |
| 1101 mm                           | 501 mm                    | 1000 mm                       |



## 1417.0050 - Low Profile Outlet

Linear 1417.0050

Ø 50 mm horizontal drain

The odour barrier can be removed for cleaning

Can be rotated 180 degrees if a rear-facing outlet is required

Note: Odour barrier is VA-approved

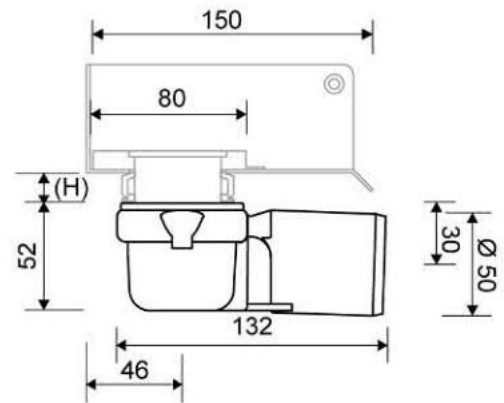


### Specifications

|                            |               |  |
|----------------------------|---------------|--|
| ITEM NUMBER                | GTIN NUMBER   | WEIGHT INCLUDING PACKAGING                                 |
| 1417.0050                  | 5707692007915 | 500 g  |
| WEIGHT EXCLUDING PACKAGING | MATERIAL      | USAGE  |
| 350 g                      | Plastic (PP)  | Line drain   |
| BARRIER                    | GASKET        | CAPACITY   |
| With (odour barrier)       | EPDM          | 0.6 l/s  |
| SIDE INLET                 | CENTER        | FITS DRAIN UNIT  |
| Without                    | 30 mm         | 1001, 1002, 1003, 1004, 1100, 3002, 3004, 5002, 5003, 4004 |

#### FITTING HEIGHTS - LINE FAUCETS 1001, 1002, 1003, 1004

| Ø       | Outlet direction | 300   | 600   | 700   | 800   | 900   | 1000  | 1200  |
|---------|------------------|-------|-------|-------|-------|-------|-------|-------|
| Ø 50 mm | Horizontal       | 64 mm | 68 mm | 69 mm | 70 mm | 71 mm | 72 mm | 74 mm |



## 1910.1015 - 1000mm Stainless Steel Frame

Line 1910

Highline Frame can be placed around Highline Custom, Cassette and Panel.  
Also available in 10, 12 and 25mm heights (depending on the thickness of the floor tile)  
Contact Wetroom Materials for other heights.

Must be installed before tiling.



### Specifications

|                            |  |                            |
|----------------------------|--|----------------------------|
| ITEM NUMBER                | GTIN NUMBER                              | WEIGHT INCLUDING PACKAGING |
| 1910.1015                  | 5707692004402                            | 2650 g                     |
| WEIGHT EXCLUDING PACKAGING | MATERIAL                                 | USAGE                      |
| 2530 g                     | Stainless steel (AISI 304)               | Line drain                 |
| SURFACE                    | INSTALLATION LENGTH (L)                  | HEIGHT (H)                 |
| Brushed                    | 995 mm                                   | H 15 mm                    |
| LENGTH MODEL               | FITS DRAIN UNIT                          | INSERT                     |
| 1000 mm                    | 1001, 1002, 1003, 1004, 1100, 5002, 5003 | Synthetic                  |



## 1940.1015 - 1000mm Cassette

### HighLine | Cassette

The set consists of a Highline Cassette to place tile into, heightener set and screws.

Can be used with or without Highline Frame.

When using without Highline Frame, ensure rear wall build up allows for equal drainage gap on all sides.

Also available in 10, 12 and 25 mm heights (depending on the thickness of the floor tile).

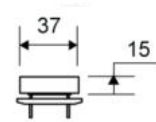
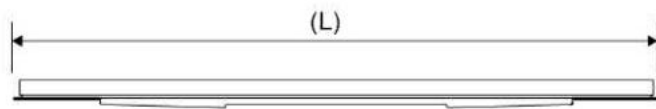
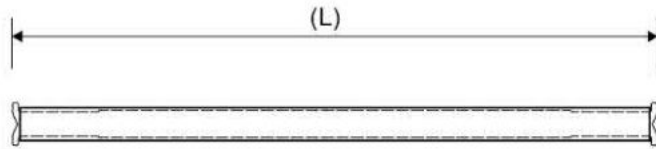
Contact Wetroom Materials for other heights.



### Specifications

|                            |                            |                            |
|----------------------------|----------------------------|----------------------------|
| ITEM NUMBER                | GTIN NUMBER                | WEIGHT INCLUDING PACKAGING |
| 1940.1015                  | 5707692005249              | 1920 g                     |
| WEIGHT EXCLUDING PACKAGING | MATERIAL                   | USAGE                      |
| 1810 g                     | Stainless steel (AISI 304) | Line drain                 |
| SURFACE                    | HEIGHT (H)                 | LENGTH MODEL               |
| Brushed                    | H 15 mm                    | 1000 mm                    |
| HEIGHTENER SET             | LENGTH WITH/WITHOUT FRAME  |                            |
| Plastic (PE)               | 933/955 mm                 |                            |





## 5100.1000

GlassLine | Right and left-aligned shower screen

Design: Transparent

10 mm safety glass

No visible screws or fittings in the finished result

The glass surface is treated with Cleantec nanotechnology, making it water-repellent, less susceptible to limescale and easier to clean.



### Specifications

|                    |   |                   |
|--------------------|---|-------------------|
| <b>ITEM NUMBER</b> | <b>LENGTH MODEL</b>                                 | <b>HEIGHT (H)</b> |
| 5100.1000          | 1000 mm   | 2104 mm           |
| <b>DESIGN</b>      | <b>MATERIAL</b>                                     |                   |
| Transparent        | Stainless steel (AISI 304) 10 mm safety float glass |                   |

